

ropimex®

2023/24



Screen-Systems

NEW

Folding wall configurator

29 Colours

21 Designs



disinfectable
washable



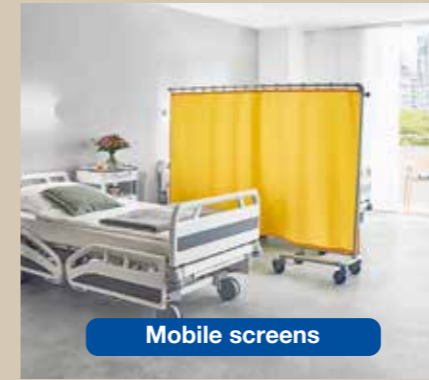
Telescopic screens



Vario rail system



Telescopic screen cubicles



Mobile screens

disinfectable



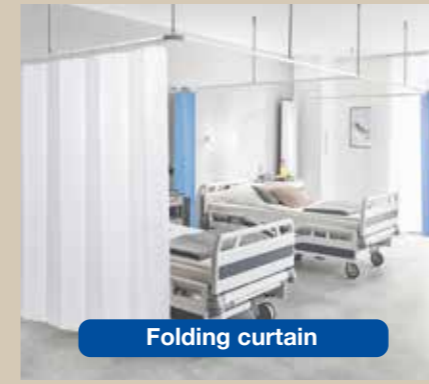
Folding screens



Paravents



Shower splash guard



Folding curtain



ISO 9001
Zertifiziertes
Qualitätsmanagementsystem
www.tuvsud.com/ms-zert



ropimex® HyGentle® : Product design and material combination for maximum hygiene

Product design:

Hygiene starts with the design. Corners, angles or geometries that are ill-suited for cleaning and disinfection are avoided to the greatest possible extent.

Material composition:

Cleanability and disinfectability are prioritized in the selection of the materials required for manufacturing the product. This is aimed at achieving an optimum where soiling and microbiological pollution are concerned. Porous, absorbent surfaces must be avoided.

Certificate DIN EN ISO 9001:2015

The certification body of TÜV SÜD Management Service GmbH certifies that the company ROPIMEX R. OPEL GmbH, Bildstocker Str. 12-14, 66538 Neunkirchen, Germany

has introduced and applies a quality management system for the scope of manufacture and sale of privacy and soundproofing elements. An audit was performed, Order No. 707145152. Proof has been furnished that the requirements according to DIN EN ISO 9001:2015 are fulfilled.

Cleaning and disinfection:

We test and document the materials of our products in terms of their natural microbial contamination, just as we document their cleanability and disinfectability with commercially available detergents and disinfectants.

CE - Medical device

ropimex®- products meet the requirements of the regulatory specifications for medical devices.



Curtains

disinfectable
washable

disinfectable
washable

Telescopic screens,
Telescopic arms RTS/RTI 4 - 13

Wall brackets /
Brackets for equipment rails 14 - 15

Mobile screens FG95 16 - 17

Vario rail system RVS 18 - 21

Curtains 22 - 25

disinfectable

ropiCARE Folding curtain 26 - 27

Folding screens RFW 28 - 35

Butterfly Folding wall RBF 36 - 37

Paravents RLP 38 - 41

Paravent Butterfly RBP 42 - 43

Shower splash guard 44 - 45

About us / Certificates 46 - 49

NEW!



Welcome to our virtual showroom!

Explore our product range conveniently online and be inspired! Take advantage of the opportunity to view **ropimex**® privacy screen systems from different angles. With just a few clicks you can navigate through our range. Discover the new virtual showroom now directly via the QR code or at www.ropimex.com/showrooms



Telescopes of the new generation



ropimex® HyGentle®: Product design and material combination for maximum hygiene

The ropimex® telescopes of the new generation are optimized in handling, cleaning and disinfection by means of seamlessly integrated mechanics and particularly smooth, hygiene-friendly surfaces. ropimex® curtains, washable and disinfectable complete the hygiene concept.



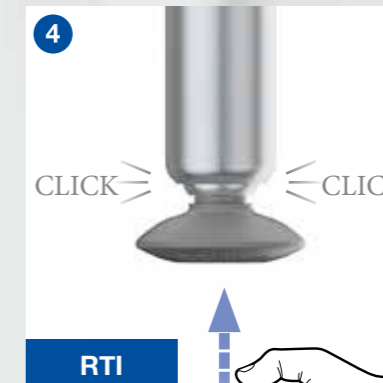
1
Smooth telescopic tubes and plastics for one hygiene-friendly surface.



2
Bending mechanism seamlessly integrated.



3
Integrated stop mechanism for the curtain rings



4
Tail with Locking - fixed telescope at rest



5
If the curtain rings are loaded they release themselves from the eyelets of the curtains and therefore avoid injuries and damage to the system.



Direct to the product video

Telescopic arms



Model RTS:
swing-out



Model RTI:
fold-down and
swing-out



Model RTH:
with hooks, fold-down
and swing-out

You can't trip over things that hang on the wall. Which is why we created ropimex® telescopic screens, the screen that's only there when it's needed.

After use, simply push the screen together and turn it towards the wall. Your room is back to looking its familiar self.

Telescopic arms

RTS

swing-out
- self-supporting -



RTS models in the doctor's surgery

RTS models in the retirement and care home

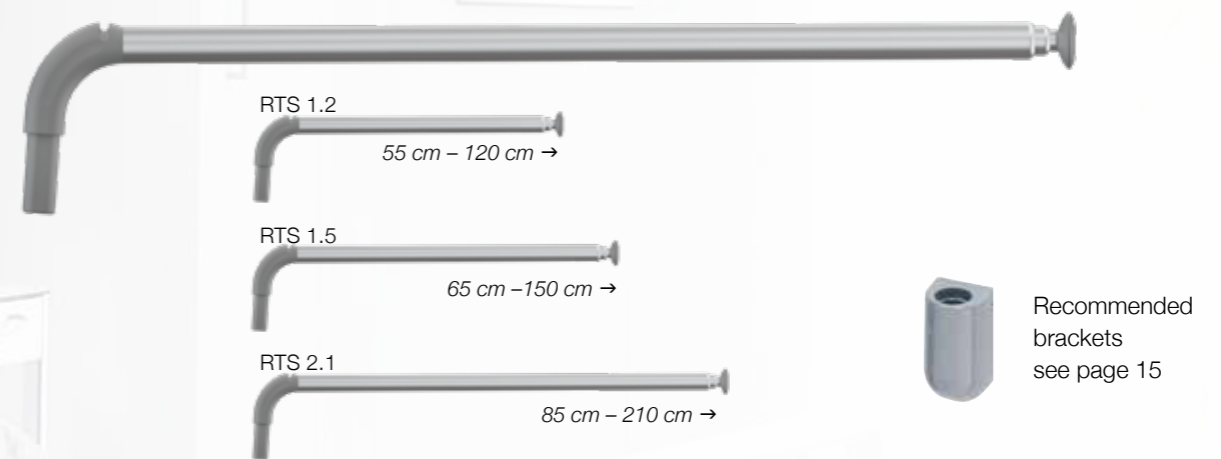
One telescopic screen can be used to screen off several beds, which have been previously fitted with brackets



telescopes
disinfectable

Curtains with
disinfectant
washable

RTS: Telescopic screen, swing-out, self-supporting



Material

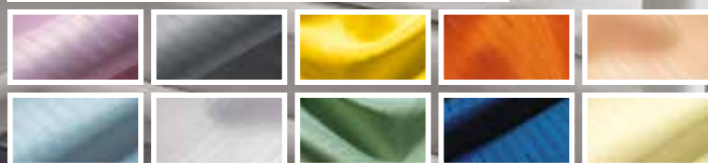
ropimex® telescopic screens are made of anodised aluminium, high-quality, glass-fibre reinforced plastics. Easy to clean and to disinfect.



Model	Telescopic screen extension	Weight	Rings	Recommended curtains (see p. 22-23)
RTS 1.2	120 cm	0,5 kg	10	TCS 121, TCS 122, TCS 123, CQ 121, CQ 122, VHC 121, VHC 122
RTS 1.5	150 cm	0,6 kg	13	TCS 151, TCS 152, TCS 153, CQ 151, CQ 152, VHC 151, VHC 152
RTS 2.1	210 cm	0,7 kg	17	TCS 211, TCS 212, TCS 213, CQ 211, CQ 212, VHC 211, VHC 212

Recommended curtains (see p. 22-25)

Trevira®CS Bioactive



Cleanique®



staph CHEK



VR: Curtain rings



ropimex® curtain rings are always included with telescopic screens, telescopic arms and telescopic screen cubicles. Curtain rings can also be supplied separately. Standard colour: grey



If they are loaded they release themselves from the eyelets of the curtains and therefore avoid injuries and damage to the system.

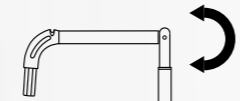
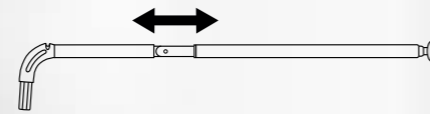
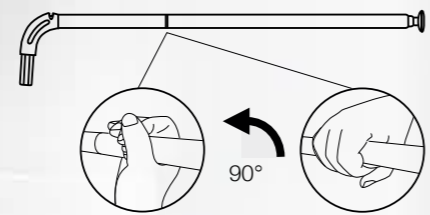
Telescopic arms

RTI

fold-down and swing-out
- self-supporting -

telescopes disinfectable

Curtains with disinfectant washable

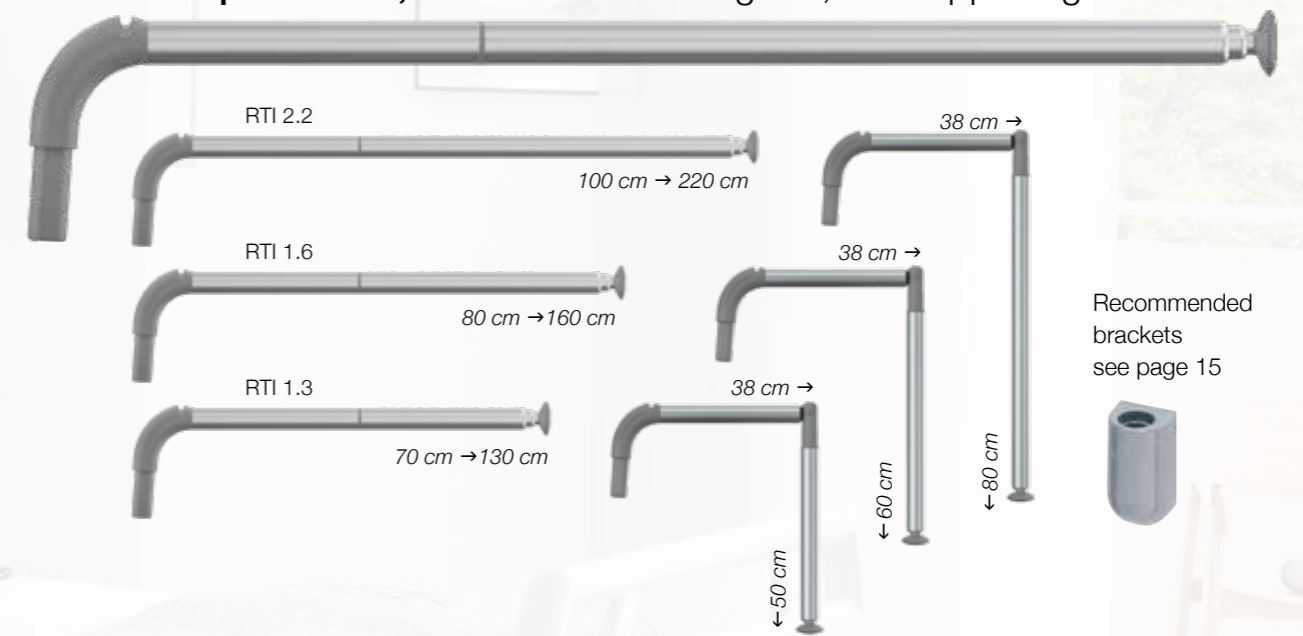


Direct to the product video



RTI models in the multi-bed room and on the intensive care unit.
One telescopic screen can be used to screen off several beds, which have been previously fitted with brackets

RTI: Telescopic screen, fold-down and swing-out, self-supporting



Material

ropimex® telescopic screens are made of anodised aluminium, high-quality, glass-fibre reinforced plastics. Easy to clean and to disinfect.



Model	Telescopic screen extension	Weight	Rings	Recommended curtains (see p. 22-23)
RTI 1.3	130 cm	0,6 kg	10	TCS 121, TCS 122, TCS 123, CQ 121, CQ 122, VHC 121, VHC 122
RTI 1.6	160 cm	0,7 kg	13	TCS 151, TCS 152, TCS 153, CQ 151, CQ 152, VHC 151, VHC 152
RTI 2.2	220 cm	0,8 kg	17	TCS 211, TCS 212, TCS 213, CQ 211, CQ 212, VHC 211, VHC 212

VR: Curtain rings



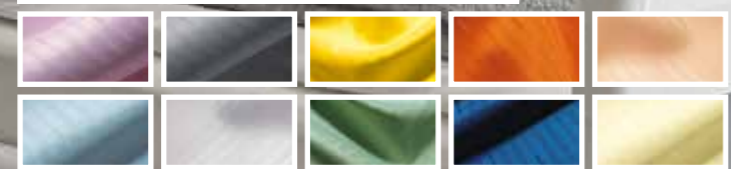
ropimex® curtain rings are always included with telescopic screens, telescopic arms and telescopic screen cubicles. Curtain rings can also be supplied separately. Standard colour: grey.



If they are loaded they release themselves from the eyelets of the curtains and therefore avoid injuries and damage to the system.

Recommended curtains (see p. 22-25)

Trevira®CS Bioactive



Cleanique®



staph CHEK



Telescopic arms

RTH

with hooks
fold-down and swing-out
- not self-supporting -

telescopes
disinfectable

Curtains with
disinfectant
washable

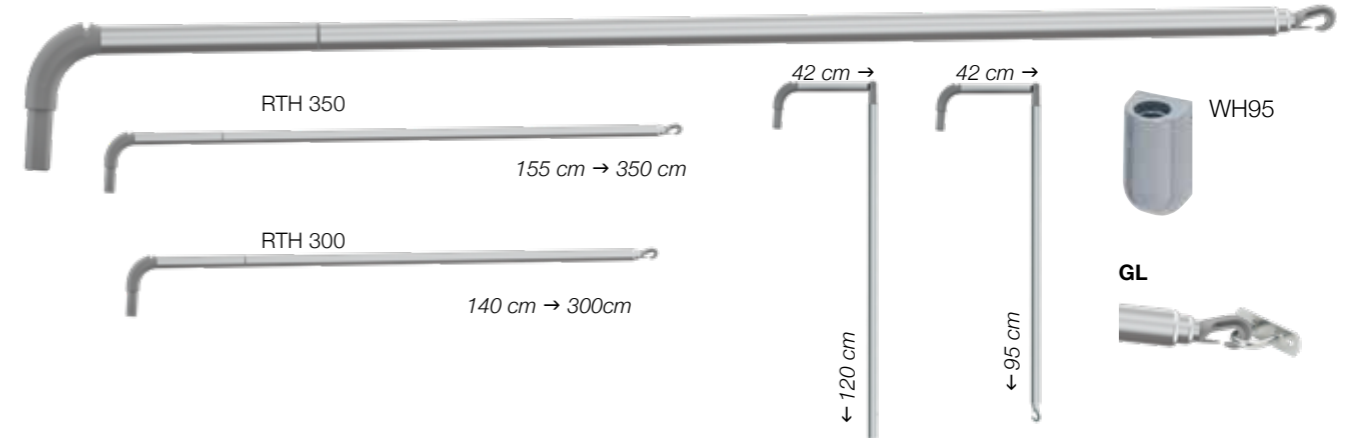


Used in combination with a height-adjustable ceiling mount RST or with an end support (GL), with the longest telescopic arm RTH 350 you can achieve a screen length of 350 cm. With the RTH models and the ceiling mounts you can divide up any room just how you want it.



If the GL cannot be mounted, e.g. on the window, a ceiling mount is used

RTH: Telescopic screens, with hooks fold-down and swing-out



Material
ropimex® telescopic screens are made of anodised aluminium, high-quality, glass-fibre reinforced plastics. Easy to clean and to disinfect.

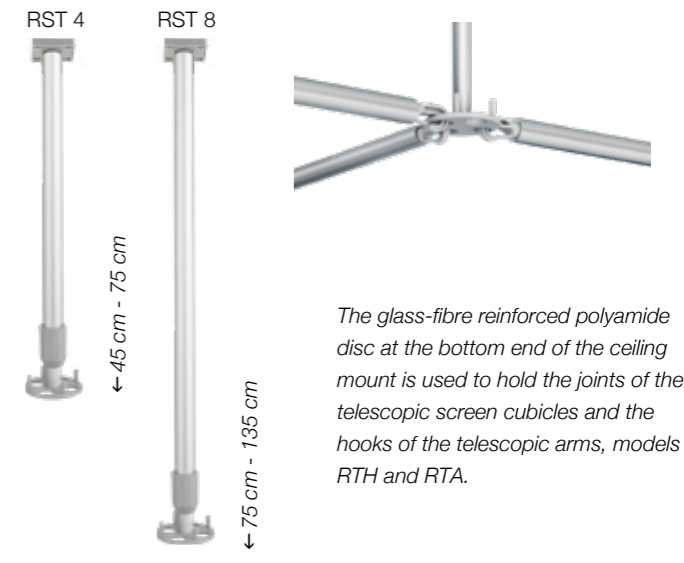


Model	Telescopic screen extension	Weight	Rings	Curtains	Wall mount
RTH 300	300 cm with hook at the distal end	1,0 kg	25	TCS 330	WH 95 with end support GL
RTH 350	350 cm with hook at the distal end	1,1 kg	30	TCS 390	WH 95 with end support GL

RST: adjustable ceiling mounts

Model	Extension	Room height
RST 4	45 - 75 cm	245 - 275 cm
RST 8	75 - 135 cm	275 - 335 cm
RST 10*	110 - 200 cm	335 - 400 cm

*not illustrated



The glass-fibre reinforced polyamide disc at the bottom end of the ceiling mount is used to hold the joints of the telescopic screen cubicles and the hooks of the telescopic arms, models RTH and RTA.

Wall and rail brackets

WH - Wall brackets
GSH - Brackets for equipment rails



WH: Wall brackets for telescopic screens



Model		Dimensions
WH 95	Wall bracket for all telescopic screens, die-cast aluminium, concealed screws, adjustable to compensate for unevenness of the wall, colour coated, colours: white (RAL 9010), signal grey (RAL 7004)	Height 10 cm Width 6 cm
WH 95 PL	Wall bracket for all telescopic screens. White or grey, concealed screws, with backplate 20/15 cm	Height 15 cm Width 20 cm
WH	Wall bracket for all telescopic screen	Height 16,5 cm Width 6 cm
WH/LA	Wall bracket for bridging service ducts up to 15 cm	Height 16,5 cm Width 6 cm
WH/F	Wall bracket with knurled thumb screw	Height 16,5 cm Width 6 cm

GSH: Brackets for equipment rails

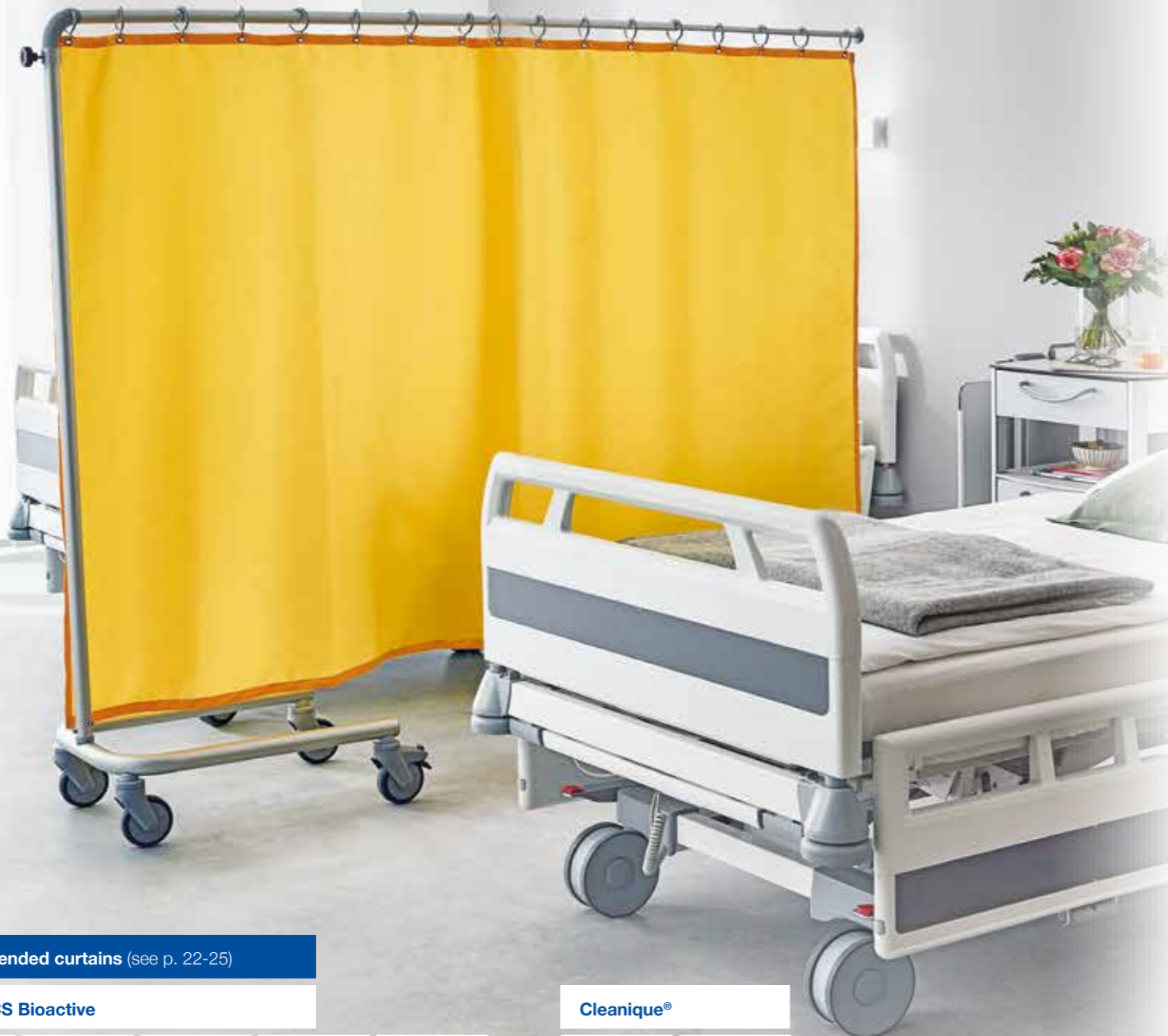


Model		Dimensions
GSH/95	Bracket for equipment rails, adjustable tilt	Height 10 cm Width 6 cm
GSH/N	Bracket for equipment rails, wall-supported, height-adjustable	Height 55 cm Width 5 cm
GSH/DK	Bracket with "double clamp" for equipment rails, height-adjustable	Height 55 cm Width 5 cm
GSH/F	Bracket for equipment rail 25/10 mm, fixing by means of clamping screw	Height 13,5 cm Width 4 cm

Mobile screens **FG95**

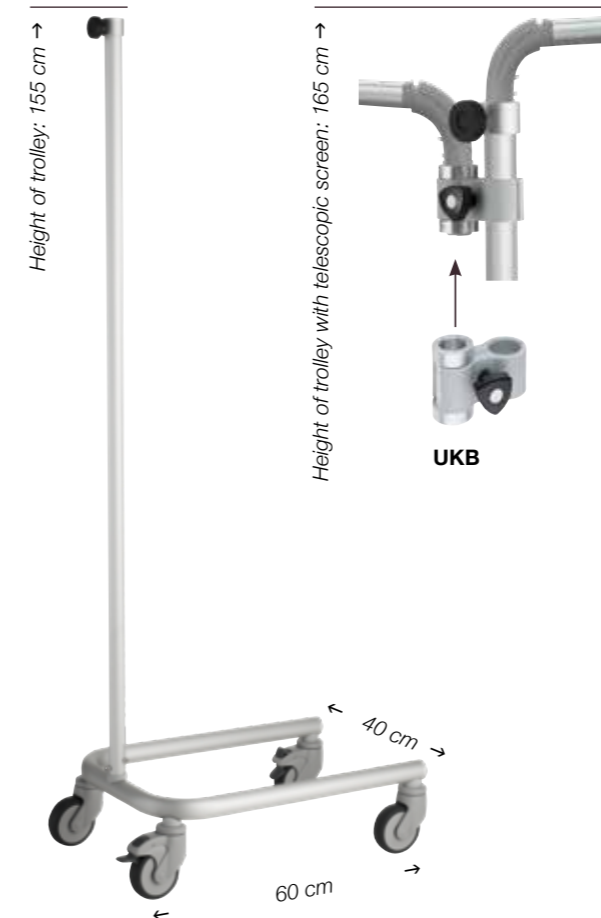


The mobile screen '95 is ready to use in only a few seconds and is quickly returned to its parked position. Its smooth and easy movement, low weight and high degree of stability ensure simple handling.

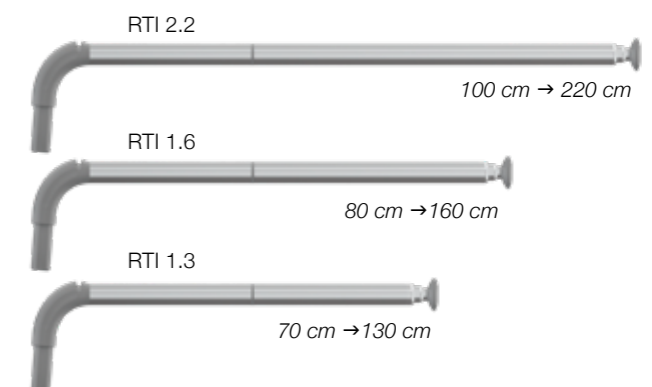


Mobile screen '95 with one or two telescopic screens in use

FG95 trolley



Model	
FG95	Trolley , 155x60x40 cm (H/D/W), 4 castors ø 100 mm, 2 of which are lockable. Aluminium anodised, glass-fibre reinforced polyamide, corrosion-resistant, disinfectable.
LA	Electrically conductive castors available for an extra charge.
UKB	Universal clamp for holding a second telescopic screen - RTI 1.3 or RTI 1.6.



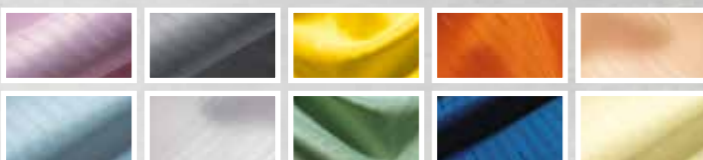
We recommend the following fitout:



Model	With one telescopic screen	Extension	Curtains
RTI 2.2	Telescopic screen, fold-down	220 cm	TCS 212, CQ 212, VHC 212
Model	With two telescopic screens	Extension	Curtains
RTI 2.2	Fold-down telescopic screen, (can only be used in the trolley, not suitable for the UKB clamp)	220 cm	TCS 212, CQ 212, VHC 212
RTI 1.6	Telescopic screen, fold-down	160 cm	TCS 152, CQ 152, VHC 152
RTI 1.3	Telescopic screen, fold-down	130 cm	TCS 122, CQ 122; VHC 122
UKB	Universal clamp for use of a second telescopic screen, telescopic screens: RTI 1.3, RTI 1.6		

Recommended curtains (see p. 22-25)

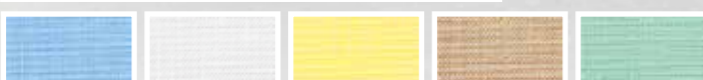
Trevira®CS Bioactive



Cleanique®



staph CHEK



Vario rail system **RVS**



**One system – any number of options!
Slanting walls? Acute angle? No problem!**

We supply wall connectors, which can be continuously adjusted up to 180 degrees – and compensate for virtually any asymmetry in the architecture. Move or renovation: The rail system is designed to adapt to new requirements at any time.



RVS in the admissions department



Mounting above the lintel

Recommended curtains (see p. 22-25)

Trevira®CS Bioactive



Cleanique®



staph CHEK



Vario rail system

RVS

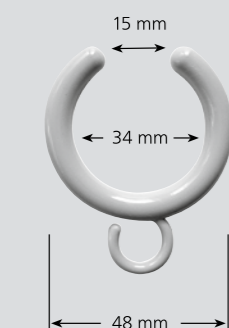
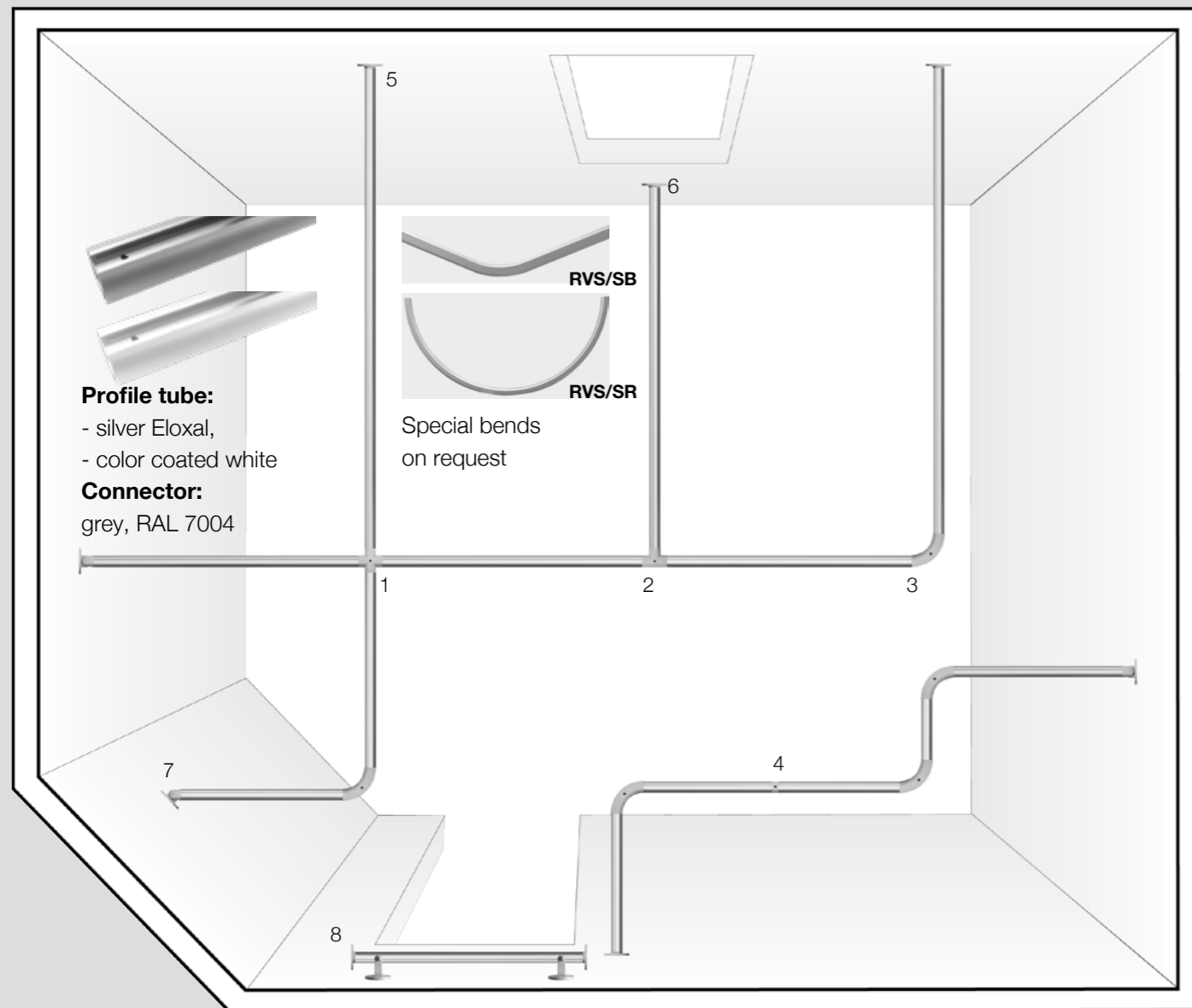


- quickly assembled
- mega variable
- durable

Easy ordering: A simple sketch suffices!

Simply prepare a hand-drawn, dimensioned sketch of the required room layout, enter the widths and lengths as well as the room height and the required headroom.

We will put together the complete system for you.



Curtain ring RVS/VR

Curtain ring made of unbreakable polyamide: Releases itself from the curtain eyelet if overloaded (approx. 2 kg).

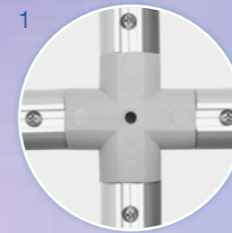


Ringstopper: for fixation of a curtain ring at the beginning or the end of the rail.

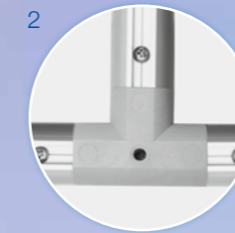


Silicone cover profile RVS/AP

With the RVS connectors, you can create cabs as you wish



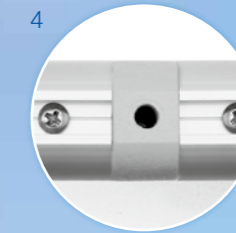
1 Cross-connector (RVS/KV)



2 T-connector (RVS/TV)



3 Corner solutions without sharp edges: with the curved connector RVS/BV (radius 60 mm)



4 **Change later:** simply disconnect the profile tube and install the connector of your choice, e.g. linear connector RVS/LV

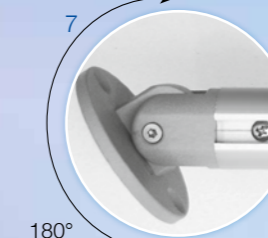
RVS-Wall connections - for every requirement



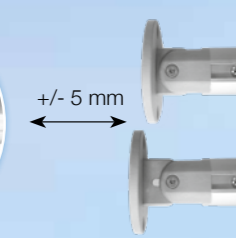
5 **Free-standing end:** End cap RVS/EK stops the curtain.



6 **Straight at the wall:** Wall connector RVS/WA



7 **Sloped walls, acute angles:** the Vario wall connector RVS/WAV compensates for and levels out asymmetries up to 180° and length differences up to +/- 5 mm.



8 **Easy above the lintel:** e.g. at windows or doors using the wall connector RVS/WAS

Flexible to the ceiling - RVS ceiling connectors



1 **Mounted directly under the ceiling:** with ceiling bracket RVS/DH (distance from top of ceiling to bottom of rail approx. 6 cm).



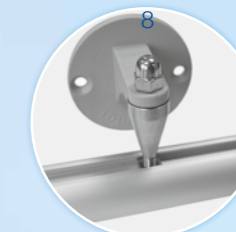
2 **Suspended at headroom height:** with the adjustable ceiling mount (+/- 20 mm) RVS/DS.



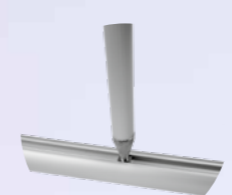
3 Cover cap for suspended ceilings



4 **For free-standing end RVS rails:** adjustable double ceiling mount (+/- 2cm) RVS/DDS.



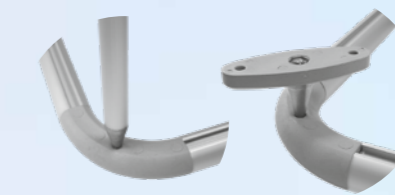
5 **Easy above the lintel:** e.g. at windows or doors using the wall connector RVS/WAS



6 **Anchoring on profile rail:** possible along the whole length by means of square nut; for adjustable ceiling mount RVS/DS or with ceiling bracket RVS/DH. Max. spacing: 2 m.



7 **Anchoring via all connectors:** Standard threaded hole for screwing in the adjustable ceiling mount RVS/DS or the ceiling bracket RVS/DH ensures firm support.



8 **Spacer:** RVS/AH for Corner- and T-Solutions.

Curtains

Flame-resistant curtains can save lives!

ropimex® multifunctional textiles have more than proven themselves in practical application – whether here with us or in Tahiti or even Yakutsk. We only use flame retardant qualities that will meet even the most stringent hygiene requirements. The longevity of our materials meanwhile guarantees a most cost-effective price-performance ratio.



Trevira®CS Bioactive

TCS: ropimex®-curtains made of Trevira®CS Bioactive have been tried and tested for 20 years

Permanently flame-retardant and anti-microbial

- 100% Polyester, permanently flame-retardant
- the fabric meets fire class B1 as per DIN 4102-1 and **B-s1 d0** as per DIN EN 13501-1
- with the fire resistance indelibly anchored in the molecular structure
- Trevira®CS Bioactive is permanently anti-microbial
- permeable to daylight, ideal if there are several partitions in a room
- light-fast, dimensionally stable, crease-resistant, long service life
- certified to Oeko-Tex standard 100
- fabric weight: ca. 115 g/m²



Size table

	Width	x	Height in cm
TCS 110	110	x	175
TCS 121	140	x	120
TCS 122	140	x	140
TCS 123	140	x	175
TCS 1236	140	x	160
TCS 151	170	x	120
TCS 152	170	x	140
TCS 1536	170	x	160
TCS 153	170	x	175
TCS 200	200	x	175
TCS 211	230	x	120
TCS 212	230	x	140
TCS 2136	230	x	160
TCS 213	230	x	175
TCS 215	250	x	175
TCS 217	270	x	175
TCS 300	300	x	175
TCS 330	330	x	175
TCS 360	360	x	175
TCS 390	390	x	175
TCS 420	420	x	175
TCS 460	460	x	175
TCS 500	500	x	175

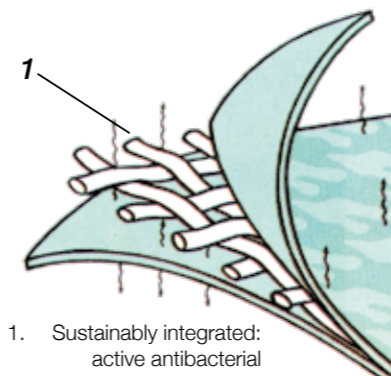
Special sizes on request

Available in 10 colours



lilac grey yellow melon peach
light blue white light green azur champagne

staph CHEK®



1. Sustainably integrated: active antibacterial components

VH/C ropimex®- curtains made of staph CHEK

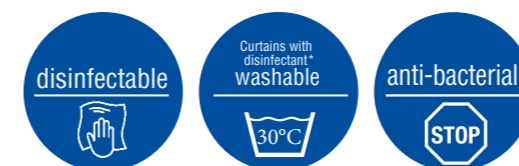
staph CHEK, the fabric for sanitary blocks, showers and bathrooms

- stable and compact
- anti-bacterial
- flame-retardant, fire class M2
- ideal for use as a shower curtain
- skin-friendly / does not stick to the body
- anti-static
- impervious to liquids
- staining- and soiling-resistant
- in areas where careful treatment cannot be guaranteed because of exceptional circumstances
- simply wipe down with a sponge and household cleaner
- durable
- fabric weight: ca. 330 g/m²

Size table

	Width	x	Height in cm
VH/C 100	100	x	80
VH/C 120	120	x	80
VH/C 121	140	x	120
VH/C 122	140	x	140
VH/C 151	170	x	120
VH/C 152	170	x	140
VH/C 211	220	x	120
VH/C 212	220	x	140

Special sizes on request



Available in 5 colours



light blue white yellow beige mint

* Request our test report concerning disinfectant resistance based on DIN EN ISO 2812-4:2007

Curtains



Cleanique

CQ ropimex®- seamless Hygienic-curtain of the new generation

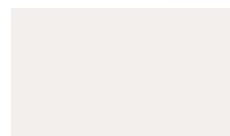


Top level hygiene:

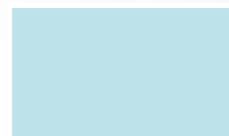
- antimicrobial activity
- beautiful draping properties
- soft feel
- approved for skin contact in accordance with FDA (ISO 10993)
- flame-retardant, fire class M1
- thermoplastic polyether polyurethane
- water-repellent
- light-fast
- resistant to rubbing
- tear-proof
- recyclable
- seamless
- durable
- non-stick
- fabric weight: ca. 270 g/m²



Available in 2 colours



velvet-white



sky blue

Size table

	Width	x	Height in cm
CQ108	100	x	80
CQ128	120	x	80
CQ121	140	x	120
CQ122	140	x	140
CQ1416	140	x	160
CQ123	140	x	170
CQ151	170	x	120
CQ152	170	x	140
CQ1716	170	x	160
CQ153	170	x	170
CQ211	220	x	120
CQ212	220	x	140
CQ213	220	x	170
CQ2216	220	x	160
CQ1218	120	x	180
CQ1220	120	x	190
CQ1420	140	x	190
CQ1620	160	x	190
CQ1820	180	x	190
CQ2020	200	x	190
CQ2220	220	x	190
CQ2420	240	x	190
CQ2720	270	x	190
CQ3020	300	x	190
CQ3320	330	x	190

Special sizes on request

ZEROTEX

Zerøtex

ropimex® Zerøtex - non-woven Saves time and money



Standard curtains - eyed

- non-woven - 100% Polypropylen (PP)
- flame-retardant, fire class **B-s1 d0**, DIN EN 13501
- recyclable
- skin-friendly, physiologically completely harmless
- resistant to almost all solvents
- ideal for hygiene-sensitive areas
- in healthcare facilities
- in public institutions
- fabric weight: 70 g/m²

Available in 5 colours



blue



yellow



light grey



apple green



creme

ize table

	Width	x	Height in cm
suitable for			
Z1516	150	x	160
Z1517	150	x	175
Z1816	180	x	160
Z1817	180	x	175
Z2116	210	x	160
Z2117	210	x	175

Minimum purchase **10 pieces** / per color and size.

Suitable for ropimex RTS telescopes and RTI as well as the RVS rail system

* Request our test report concerning disinfectant resistance based on DIN EN ISO 2812-4:2007

ropicare Folding Curtain

ROC



Only in connection with ropimex® Vario RVS rail system, color coated white (see page 18 - 21)



ropicare

ROC ropimex® folding curtain



Easy care - no washing

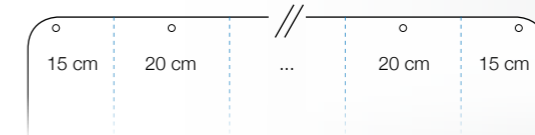
ropicare is ideal for users whose hygiene conception is directed against the use of classic curtains, which require regular cleaning, mostly by external service providers

- PVC / Polyester fabric
- dimensionally stable, UV-resistant
- flame-retardant, fire class B-s2 d0 , DIN EN 13501
- fabric weight: 570 g/m²
- for all healthcare facilities
- ropicare is quickly ready for use and, thanks to its vertical perforation, can be folded up to save space
- Curtain height: 175 cm
- Slat width: 20 cm, Start and end slat: 15 cm
- smooth surfaces - suitable for disinfection
- simply wipe and disinfect to clean*

Size table

	Width	x	Height in cm
ROC 110	110	x	175
ROC 130	130	x	175
ROC 150	150	x	175
ROC 170	170	x	175
ROC 190	190	x	175
ROC 210	210	x	175
ROC 230	230	x	175
ROC 250	250	x	175
ROC 270	270	x	175
ROC 290	290	x	175
ROC 310	310	x	175

Special sizes on request

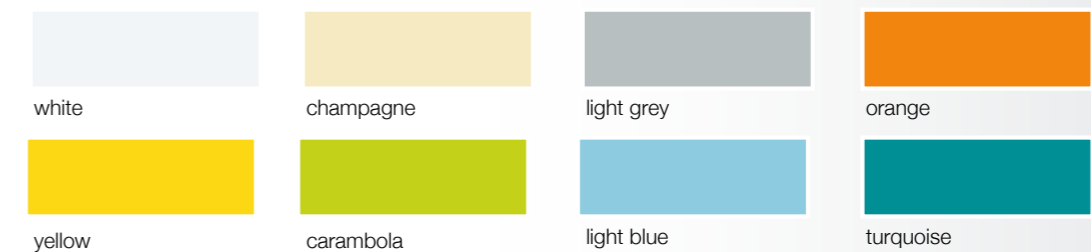


Thanks to the vertical perforations, the system folds like an accordion.



Optionally available with a transparent area covering the entire width of the curtain.

Available in 8 colours



Curtain rings
Curtain rings with swivelling hook (specially for ropicare and Vario Rail System), not included in the delivery



Pratice:
Ringstopper to block the curtain at the beginning

Folding screens

RFW

wall-mounted

10 years warranty on hinge system

disinfectable



Folding screen wall-mounted



Infill panels: non-see-through but translucent

Non-see-through 360° hinges. Tearproof



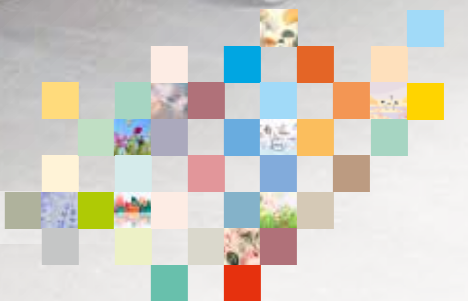
RFW wall mounted in park position

Castors Ø 65 mm

Flexibly usable as a screen or partition in the hospital and care sector, the robust and impact-resistant folding screen is positioned in seconds and parked back against the wall after use. The number of leaves can be extended at a later date. Non-see-through but translucent leaf infill material with high-quality aluminium profile creates a pleasant, light atmosphere.

Modern leaf designs, available in different colours, give the folding screen an individual touch.

29 Colours
21 Designs
New: (see page 34-35)



Folding screens

RFW

mobile with trolley



Simply drive from site to site



Set up quickly - quickly closed again

Mobile folding screen: the classic example of adaptability and versatility.

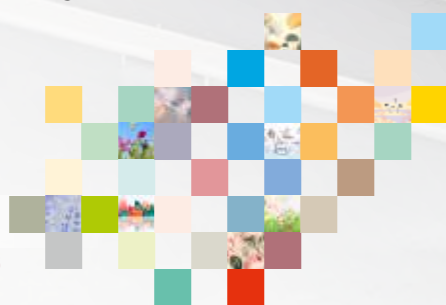
Mobile folding screens, which are used here today and there tomorrow, offer the greatest possible spatial flexibility in everyday care and treatment work: in hospitals and care of the aged, in doctors' surgeries as well as in clinical rooms.

At the same time you guarantee patients the necessary discretion. Position, fold open, fold together after use and roll away – care of the easy-clean surfaces made of aluminium and scratch-resistant polycarbonate is just as easy as the handling.

29 Colours

New: (see page 34-35)

21 Designs



For easy handling - ingenious details such as lockable castors and lifting mechanism

Folding screens

RFW

Technical data



wall mounted



Non-see-through 360° hinges.
The RTC unit (ropimex®-Turn&Connect) enables 360° leaf rotation.

Accessories available:
Clamp set for service rail
Spacer for wall-mounting



mobile - with trolley



Well-designed and stable



Note: Mounted on a trolley, the folding screen is only mobile. It is therefore not possible to convert it to a wall-mounted screen or to fix it to an equipment rail or column.



column-mounted



Possibility to fix until 4 folding walls



Folding screen for wall-mounting RFW		Screen	open width
Leaf width	30 cm	3-leaf	90 cm
Heights	145 / 165 / 185 cm	4-leaf	120 cm
Weight	3,00 / 3,50 / 4,00 kg/leaf	5-leaf	150 cm
Frame	Frame and hinged profiles: extruded aluminium (Al Mg Si 05), anodised surface, connecting screws: V2A stainless steel	6-leaf	180 cm
Plastic parts	PA 6 GF 15, polyamide with 15% glass fibres	7-leaf	210 cm
Infill panels	Polycarbonate, 2 mm, white, translucent, flame resistant, construction material class B1, DIN 4102-01, extremely impact resistant	8-leaf	240 cm
Care	commercially available cleaning product and disinfectant*	9-leaf	270 cm
		10-leaf	300 cm

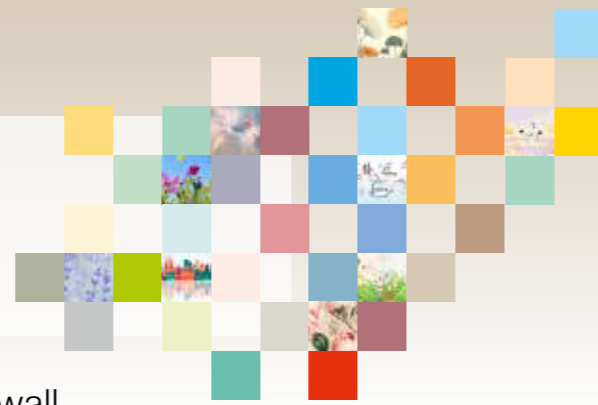
Accessories	
Spacer set for wall fixing RFW-WA	Spacer for wall fixing, standard spacing 100 mm, special length to customer-specified dimensions possible up to 400 mm
Clamp set RFW-KLS	Clamp set for fixing to double-track standard rail

Trolley for folding screen	
The mobile version with max. 10 leaves enables mobile use. Please note: mobile folding screens are available in heights 145 and 165 cm only.	
RFW-FG4	Height 145 cm, weight 14 kg
RFW-FG6	Height 165 cm, weight 15 kg
Trolley base	52 x 59 cm
Folding screen	For description and screen length see above (RFW)

Stainless steel column for folding screen	
Ideal wherever wall-mounting is not possible. Stainless steel column with dimensions 5 x 5 cm. Available in 3 heights.	
RFW-ES4	Height 145 cm, weight 5,00 kg
RFW-ES6	Height 165 cm, weight 5,50 kg
RFW-ES8	Height 185 cm, weight 6,20 kg
Upright	5 x 5 cm
Folding screen	For description and screen length see above (RFW)

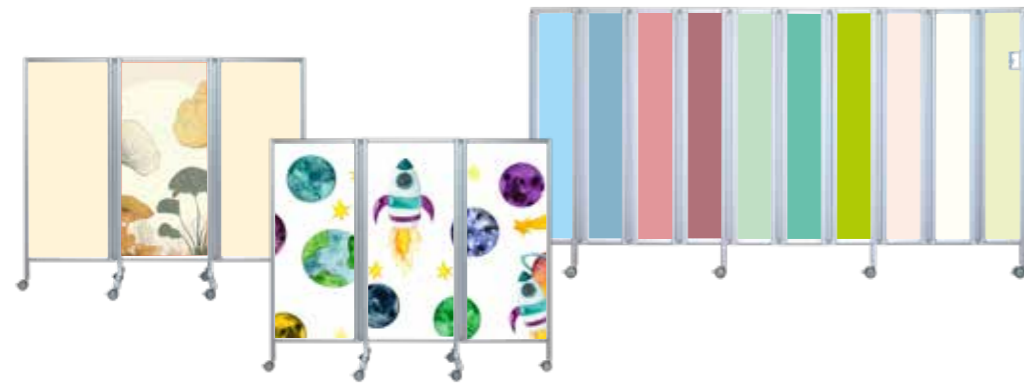
NEW!

Folding wall Configurator



Design your folding screen or butterfly folding wall from 29 colours and 21 designs

Choose wing for wing according to your personal specifications colour or design - conveniently via the ropimex® folding wall configurator.



29 Colours

COLOURS AND DESIGNS ON OPTION

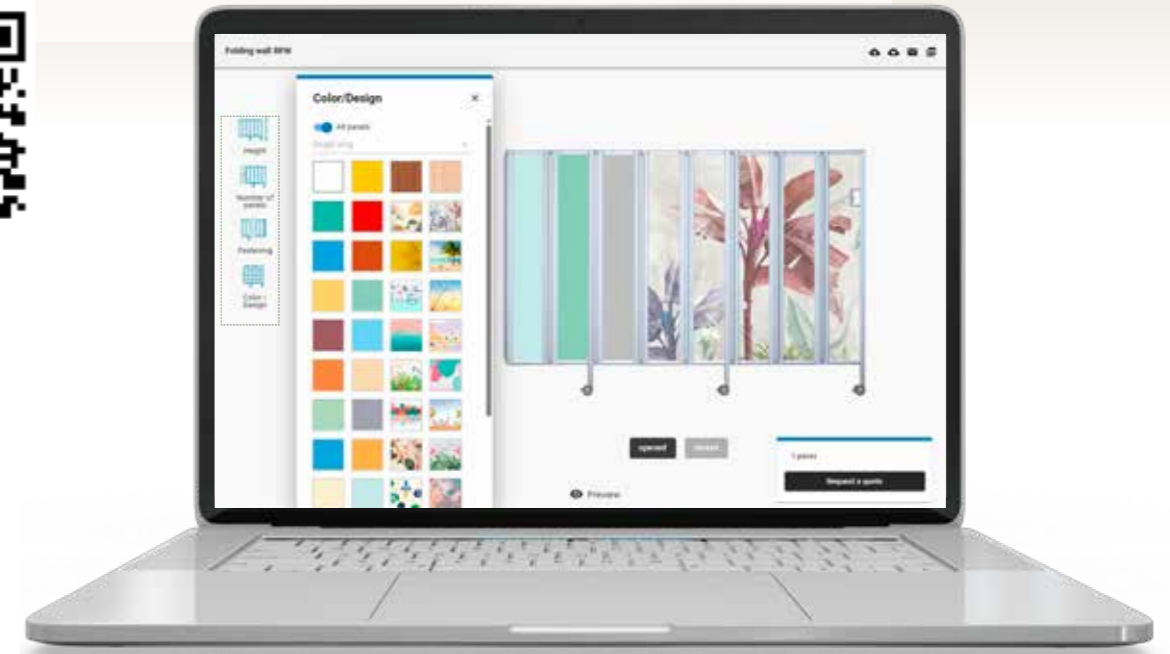
01 Golden yellow	02 Bath turquoise	03 Clove red	04 Lightblue	05 Copper brown
06 Vespa yellow	07 Opal turquoise	08 Red grey	09 Paris blue	10 Melon red
11 Apricot creme	12 Clown green	13 Tulle violet	14 Madonna blue	15 Apricot orange
16 Milk star white	17 Pale mountain lake turquoise	18 Rosewood apricot	19 Blaugrau	20 Mohair mauve
21 Nile green	22 Marker green	23 Sahara light red	24 Bermuda blue	25 Soft greige
26 Foggy grey	27 Pale pistachio	28 Pepper white	29 Vintage white	30 Standard white translucent

Standard: white translucent (without extra charge)

Colours based on RAL D2. Printed colours may deviate for technical reasons

Design your desired folding wall conveniently online now:

<https://ropimex.com/en/configurator/>



21 Designs

Brightwood	Darkwood	Ginkgo	Banaplants	Yellowpalm
Dreambeach	Submarine	Dandelion	Relaxbeach	Heron
Wildplants	Abstract	Town	Dino	Pivoine
Flamingo	Space	Papillon	Meadow	Leaves
Lavender				

Butterfly Folding wall

RBF



disinfectable

CE

disponibles en 140 cm ou 200 cm de large

Hauteur 165 cm

10 years warranty on hinge system

Lockable castors Ø 65 mm

Ideal for mobile shielding in addition to the RFW



Model	ropimex® Butterfly Folding wall
RBF	3-leaf made in polycarbonate, with middle leaf centred on double T-leg and 360° rotatable leaves on either side, fold-away. Leaf widths 45/50/45 cm, height 165 cm, weight 15,60 kg
RBF 200	3-leaf made in polycarbonate, with middle leaf centred on double T-leg and 360° rotatable leaves on either side, fold-away. Leaf widths 65/70/65 cm, height 165 cm, weight 18,00 kg

Material	Frame and hinges: extruded aluminium (Al Mg Si 05), anodised surface, connecting screws: V2A stainless steel, Infill panels Polycarbonate, 2 mm, Plastic parts PA 6 GF 15, polyamide with 15% glass fibres
Colour	white, translucent

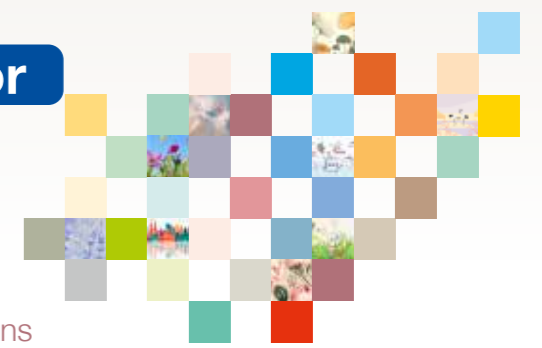


NEW!

Folding wall configurator



29 Colours
21 Designs



<https://ropimex.com/en/configurator/>



Lightweight paravents

RLP  



RLP/5 in use with base



Covering: without folds. Opaque 360° hinges.



Base for stabilising a single or several paravents to make use of the open width or to form a routing system

10 years warranty on hinge system



Model	ropimex®-lightweight paravent	Leaf	Weight	Width	Height
RLP/2	Lightweight paravent, 2-leaf	2	3,8 kg	100 cm	165 cm
RLP/3	Lightweight paravent, 3-leaf	3	5,7 kg	150 cm	165 cm
RLP/4	Lightweight paravent, 4-leaf	4	7,6 kg	200 cm	165 cm
RLP/5	Lightweight paravent, 5-leaf	5	9,5 kg	250 cm	165 cm

Material	Frame: Aluminium design profiles, natural-anodised, foot and cover caps made of polyamide, light grey. Optional: Plastic castors, black
Covering	Standard covering staph CHEK. staph CHEK fabric is antibacterial, flame-resistant, self-extinguishing, antistatic and durable. It does not have to be washed. Stains are easily wiped off with a sponge and household cleaning products.
Colours	light blue, white, yellow, beige, mint

ropimex®-Lightweight paravents are convincingly easy to handle. The 360° non-see-through hinges each leaf enable each leaf to be moved into the required position. Standard fabric covering with staph CHEK fabric, with Trevira®CS for an additional charge.

Covering (see page 23)



Please note: Paravent leaves must always be positioned at an angle to each other, unless the ropimex® base (model RLP/C) is used.

Lightweight paravents

RLP/C

Base

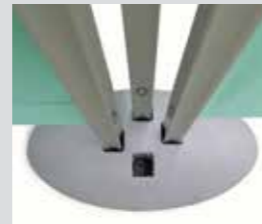
RLP/C base to stabilise the paravent



Base for holding up to 4 paravents



1 paravent at right-angles



3 paravents in the base



4 paravents in the base



2-leaf paravent in the base



Paravents in a row as a routing system

Model	ropimex®- base	
RLP/C	Base to stabilise the paravent when opened out straight (use of the open width) and/or for holding several paravents (max. 4 per base), as a partition or for setting up a routing system	
Material	Glass-fibre reinforced polyamide (GRP)	
Dimensions/Weight	8 x 15 x 30 cm (H x W x D), weight 1.3 kg	
Variations	<p>1 Paravent in a line</p> <p>1 Paravent at right-angles</p> <p>up to 4 paravents possible</p>	

Lightweight paravents

RLP/W

Wall mounted

RLP/W for wall-mounting



- Accessories available:
- Clamp set for service rail
 - Spacer for wall fixing
 - Upright made of stainless steel



Model	ropimex®- Lightweight paravent with wall connector	Leaf	Weight	Width	Height
RLP/W2	with wall connector, on castors	2	3,8 kg	100 cm	165 cm
RLP/W3		3	5,7 kg	150 cm	165 cm
RLP/W4		4	7,6 kg	200 cm	165 cm
RLP/W5		5	9,5 kg	250 cm	165 cm

Accessories

RLP-WA	Spacer for wall fixing, standard spacing 100 mm, special length to customer-specified dimensions possible up to 400 mm
RLP-KLS	Clamp set for fixing to double-track standard rail
RLP-ES	Upright made of stainless steel for RLP/W, for free-standing installation in the room, height 1,650 mm

Butterfly Paravent

RBP



10 years warranty on hinge system

140 cm or 200 cm

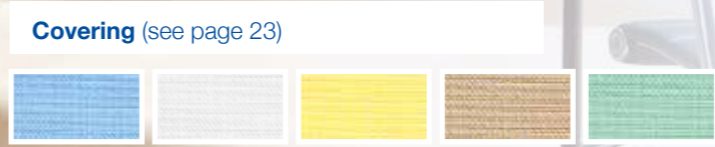
165 cm

Butterfly paravent, mobile, ideal for screening the bottom ends of beds
 Lockable castors Ø 65 mm



Model	ropimex® butterfly paravent
RBP	3-leaf, with middle leaf centred on double T-leg and 360° rotatable leaves on either side, fold-away. Leaf widths 45/50/45 cm (140 cm), height 165 cm, weight 8.9 kg
RBP200	3-leaf, with middle leaf centred on double T-leg and 360° rotatable leaves on either side, fold-away. Leaf widths 65/70/65 cm (200 cm), height 165 cm, weight 11.0 kg

Material	Frame: Aluminium design profiles, natural-anodised, made of polyamide, light grey. Plastic castors, grey
Covering	Standard covering staph CHEK. staph CHEK fabric is antibacterial, flame-resistant, self-extinguishing, antistatic and durable. It does not have to be washed. Stains are easily wiped off with wipes.
Colours	light blue, white, yellow, beige, mint



Shower splash guard Telescopic screen cubicles

RDSE RDLE RDTE
RKLE **CE**



Privacy screen for patients, splash guard for the care personnel.
The shower splash guard saves the care personnel having to get changed and therefore makes their work easier. One splash guard can be used for several shower areas fitted with wall brackets.

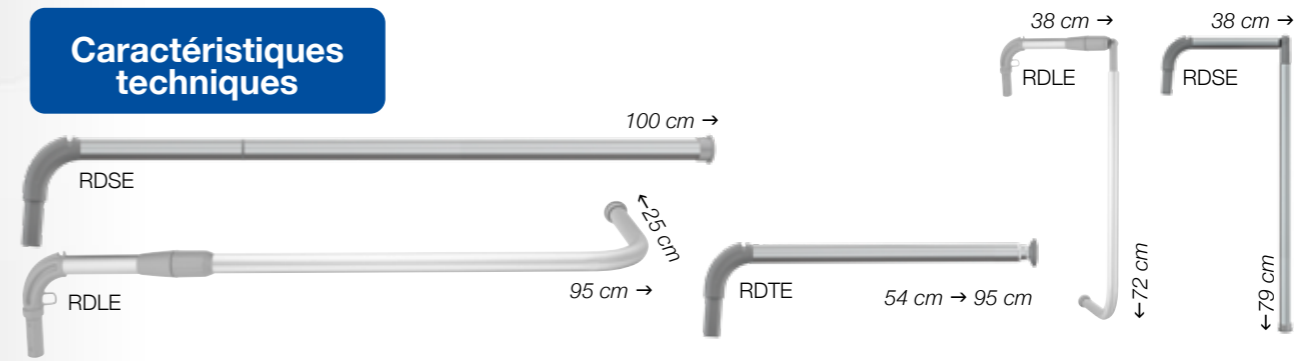
Recommended curtains (see page 23-24)

staph CHEK

Cleanique®



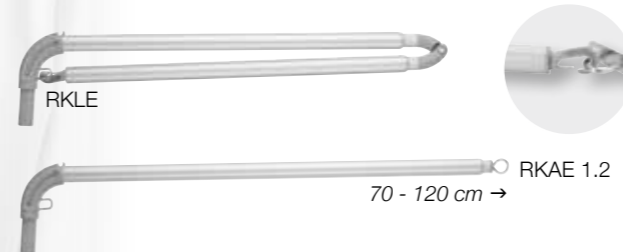
Caractéristiques techniques



Model		Dimensions	Recommended curtains	Rings
RDSE	Splash guard arm swing-out and fold-down	100 cm	VH/C 100 CQ 108	8
RDTE	Splash guard arm, telescopic swing-out	95 cm	VH/C 100 CQ 108	8
RDLE	Splash guard arm, L-shaped, can be used on the right and left-hand side, side leg 25 cm, swing-out and fold-down	95 cm	VH/C 120 CQ 128	10
Wall mount	Recommended wall mount: WH, WH 95 (for a description see p.13)			
VR	ropimex®-curtain rings are always included with our telescopic screens, telescopic arms and telescopic screen cubicles. Colour: grey.			

RKLE ropimex® Telescopic screen cubicles Model RKLE (wall fixing)

With this space-saving model it takes just a few seconds to create a screen for washing, changing, radiotherapy or inhaling, either as a corner solution or as a U-shaped solution.



Model	Corner solution	Dimensions	Recommended curtains	Rings
RKLE 1212	Telescopic screen cubicle	max. 120/115 cm min. 75/70 cm	TCS 217	22
RKLE 1515	Telescopic screen cubicle	max. 150/145 cm min. 90/85 cm	TCS 330	30
U-shaped solution				
RKAE 1.2	Telescopic screen in combination with RKLE 1212 as a U-shaped solution 120x115x120 cm	120 cm	TCS 123	10
RKAE 1.5	Telescopic screen in combination with RKLE 1515 as a U-shaped solution 150x145x150 cm	150 cm	TCS 153	13

Satisfied customers all over the world



Since 1976, ropimex® has been busy finding solutions to protect the privacy of the sick and those in need of care.

The telescopic screens of the early years are still in use today. From them a system developed, whose diversity, use and combination options provide a suitable solution for each and every customer. All these properties, top advice from authorised stockists and the fastest possible delivery have secured ropimex® more than 80,000 satisfied users to date, all over the world.



ropimex® Regional. Sustainable. Engaged.

REGIONAL



- ropimex® products are 98 % sourced in Germany and 100 % manufactured at the plant in Neunkirchen/Saar. This way the region ultimately also benefits from our success. Our high quality and production standards enable years of successful use of our products by clients.



- Treating our environment with care is very important to us. In production and sales, we use all the resources available to us responsibly.

- In addition, we support the PLANT-MY-TREE® initiative in reforestation and the preservation of our local forests.

HUMANITY AND SUSTAINABILITY – WELL-BEING IS A PRIORITY



- We like to invest in the company's environment – be it spacious, open-plan offices with modern equipment, friendly common rooms, flexible working hours, or home office – thanks to these practical measures, the sickness rate is low and the fluctuation rate virtually zero.

ENGAGEMENT WITHOUT BORDERS



- Partner companies in 2023 – we are with them! We support the work of DOCTORS WITHOUT BORDERS as a 2023 partner company with a donation.

DOCTORS WITHOUT BORDERS provides worldwide medical emergency aid in crisis areas and war zones, and after natural disasters. The international organization helps quickly, efficiently and unbureaucratically – without asking questions about the origin, religion or political convictions of the people concerned. Further information is available from: www.aerzte-ohne-grenzen.de

- Our achievements are also meant to benefit those unable to participate in their accomplishment, or only to a limited extent. For years we have been involved as a partner in self-help and other measures, particularly those aimed at promoting young people.

ropimex® constant development - focus on innovation

ropimex® is made up of 3 business sectors, all grouped together on the same location in Neunkirchen, Germany:



ropimex® - Screens Systems

Since 1976 - privacy protection systems and flexible partitions for healthcare facilities



ropimex® - Chemicals

Development and production tailored to your requirements



ropimex® - Sound Protection

Clever solutions for effective sound absorption



CE Produit medical



ropimex®- products meet the requirements of the regulatory specifications for medical devices.

ropimex® Privacy Systems - 45 years of experience in designing medical inventory for hospitals, therapy centers and care facilities.

The systems are designed so that a patient zone / intimate zone can be created for virtually any existing condition - stationary or mobile.

Certificate DIN EN ISO 9001:2015



The certification body of TÜV SÜD Management Service GmbH certifies that the company ROPIMEX R. OPEL GmbH, Bildstocker Str. 12-14, 66538 Neunkirchen, Germany has introduced and applies a quality management system for the scope of manufacture and sale of privacy and soundproofing elements. An audit was performed, Order No. 707145152. Proof has been furnished that the requirements according to DIN EN ISO 9001:2015 are fulfilled.

For your safety

ropimex® products conform to the highest safety standards.

ropimex® curtains made of Trevira®CS pass every fire test worldwide and are tested and certified to the Öko-Tex standard 100 Europe-wide.



ropimex®

2023/24



Screen-Systems

Telescopic screens | Telescopic arms | Mobile screens | Vario rail system
Curtains | Folding screens | Paravents | Shower splash guard



ROPIMEX R. OPEL GmbH
Bildstocker Str. 12-14 · D-66538 Neunkirchen · Tel. +49 6821 9 12 77-0
Fax +49 6821 9 12 77-99 · info@ropimex.com · www.ropimex.com